

Wall valve anti-clockwise closing hot 1/2" - Chrome

CL.1

36 607 742




- without rosette
- handle Ø 60mm
- with hot marking
- head part with cut-to-length spindle and sleeve

Fits: CL.1, CYO

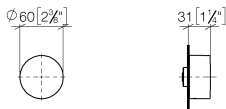
| | | |
|---|-------------------------------------|---------------|
|  | Chrome | 36 607 742-00 |
|  | Brushed Platinum | 36 607 742-06 |
|  | Dark Chrome | 36 607 742-19 |
|  | Brushed Durabronze (23kt Gold) | 36 607 742-28 |
|  | Matte Black | 36 607 742-33 |
|  | Brushed Champagne (22kt Gold) | 36 607 742-46 |
|  | Champagne (22kt Gold) | 36 607 742-47 |
|  | Brushed Dark Platinum | 36 607 742-99 |

Required miscellaneous

| | | |
|--|---|-----------------------|
|  | <p>Wall valve 1/2" -</p> <ul style="list-style-type: none"> • max. recess depth 145 mm • min. recess depth 85 mm | 35 607 970-90 0010 |
|--|---|-----------------------|

36 607 742

mm [inches]



Codes & Standards

ASME
A112.18.1/CSA
B125.1

Certificates

DVGW_DW-
6501DN0116.

LGA_38107.

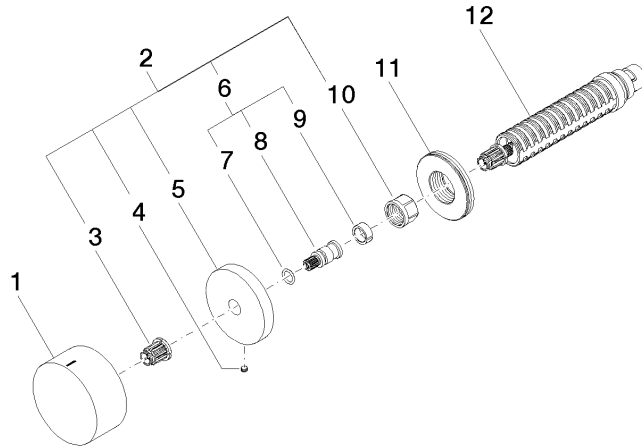
IAPMO_4976 (1).

LGA_29931.

WRAS_2010066.

LGA_29932.

36 607 742



Spare parts list

| No. | Item Number | Name | Quantity used | Delivery time |
|-----|--------------------|----------------|---------------|---------------|
| 1 | 09 20 74 021-00 | handle (hot) | 1 | 10 |
| 2 | 04 27 74 004 00-00 | rosette | 1 | 10 |
| 3 | 90 12 12 002 00 90 | fixing cap | 1 | 2 |
| 4 | 09 31 11 055 90 | pin | 1 | 2 |
| 5 | 09 27 74 004-00 | rosette | 1 | 10 |
| 6 | 04 29 06 020 00-00 | spindle | 1 | 10 |
| 7 | 90 14 10 060 00 90 | seal | 1 | 2 |
| 8 | 09 29 06 020-00 | spindle | 1 | 10 |
| 9 | 90 14 15 020 03 90 | ring | 1 | 2 |
| 10 | 90 23 30 023 00 90 | nut | 1 | 2 |
| 11 | 09 30 01 107 90 | sleeve | 1 | 2 |
| 12 | 90 90 03 142 00 90 | top | 1 | 2 |